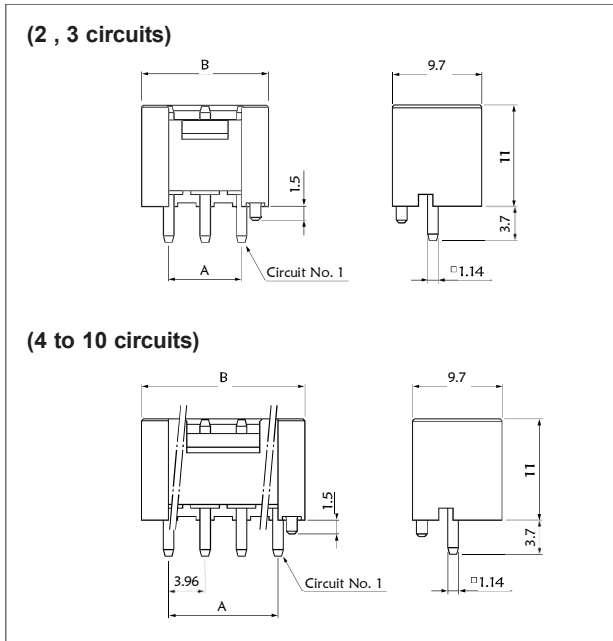


Shrouded header



Circuits	Model No.	Dimensions (mm)		Q'ty / box
		A	B	
2	B2P-VH-FB-B	3.96	9.80	250
3	B3P-VH-FB-B	7.92	13.76	200
4	B4P-VH-FB-B	11.88	17.72	150
5	B5P-VH-FB-B	15.84	21.68	200
6	B6P-VH-FB-B	19.80	25.64	200
7	B7P-VH-FB-B	23.76	29.60	100
8	B8P-VH-FB-B	27.72	33.56	100
9	B9P-VH-FB-B	31.68	37.52	100
10	B10P-VH-FB-B	35.64	41.48	125

Material and Finish

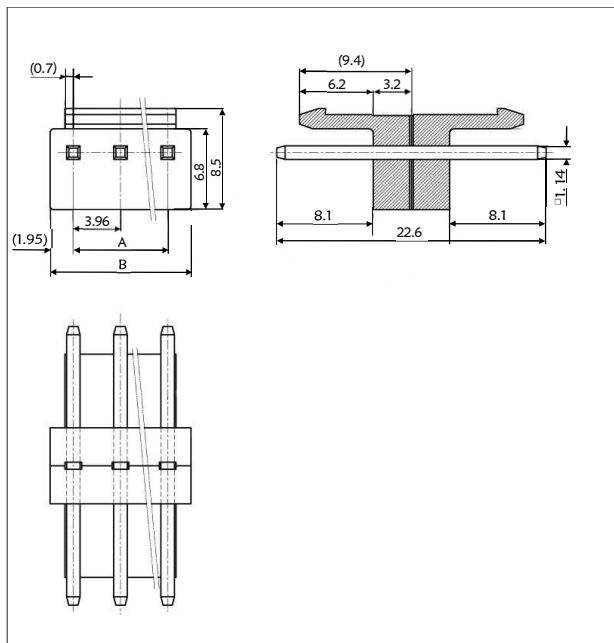
Post: Copper alloy, copper-undercoated, tin-plated (reflow treatment) Wafer: Glass-filled PBT, UL94V-0, natural (white)

RoHS compliance This product displays (LF)(SN) on a label.
 Note: The applicable housing for 2 circuits shrouded header is "VHR-2N" only.
 "VHRR-2N" is not applicable.

<For reference> As the color identification, the following alphabet shall be put in the underlined part.
 For availability, delivery and minimum order quantity, contact JST.

ex. **B2P-VH-FB-B-oo**
 (blank)...natural (white)
 R...red C...black E...blue M...green Y...yellow O...orange
 H...gray PK...pink

Unit for wire-to-wire connection



Circuits	Model No.	Dimensions (mm)		Q'ty / box
		A	B	
2	B2P-VH-TW	3.96	7.86	9,000
3	B3P-VH-TW	7.92	11.82	4,500
4	B4P-VH-TW	11.88	15.78	4,500
5	B5P-VH-TW	15.84	19.74	3,600
6	B6P-VH-TW	19.80	23.70	2,400
7	B7P-VH-TW	23.76	27.66	2,400

Material and Finish

Post: Copper alloy, copper-undercoated, tin-plated (reflow treatment) Wafer: PA66, UL94V-0, natural (white)

RoHS compliance This product displays (LF)(SN) on a label.