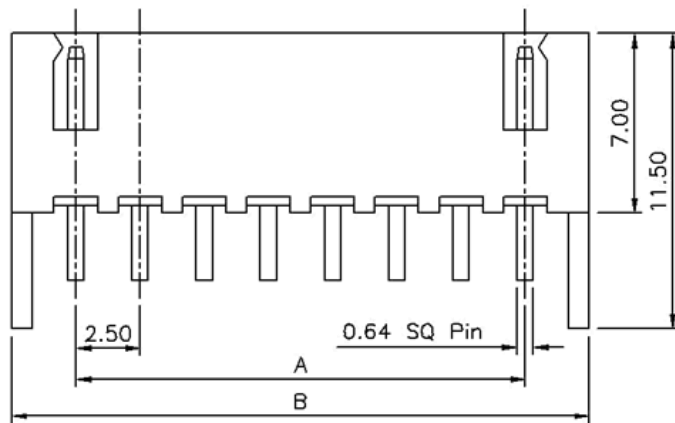


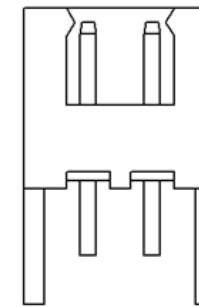
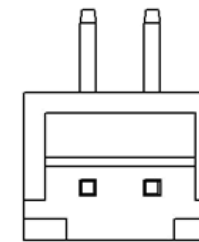
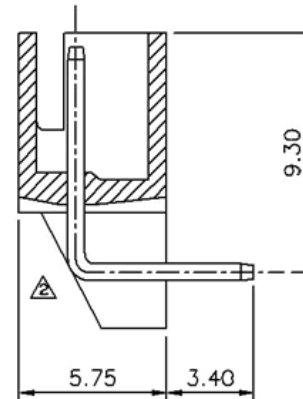
Recommended P.C.B. Layout

△ SPECIFICATION

Current Rating: 3A AC/DC
 Voltage Rating: 250V AC Max.
 Withstanding Voltage: 1000V AC/Minute
 Operation Temperature: -25°C~+85°C
 Contact Resistance: 10 Milliohms Max.
 Insulation Resistance: 1000 Megaohms Min.
 Contact: Brass, Tin Plated
 Insulator: PA66(UL94V-0), White
 RoHS Compliant

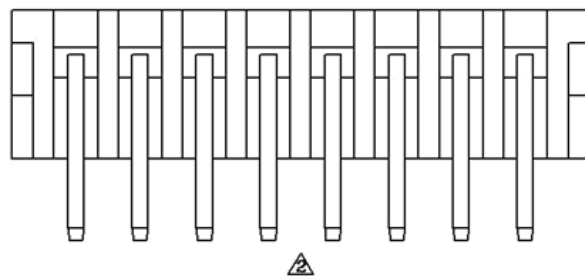


△ 3~20 Pin



△ 2 Pin

Pin	A	B
2	2.50	7.50
3	5.00	10.00
4	7.50	12.50
5	10.00	15.00
6	12.50	17.50
7	15.00	20.00
8	17.50	22.50
9	20.00	25.00
10	22.50	27.50
11	25.00	30.00
12	27.50	32.50
13	30.00	35.00
14	32.50	37.50
15	35.00	40.00
16	37.50	42.50
17	40.00	45.00
18	42.50	47.50
19	45.00	50.00
20	47.50	52.50



△



باتو الکترونیک

BATOETC.COM

DRAWING No.

APPROVED BY

MEI

CHECKED BY

HZF

DRAWING BY

QQJ

UNLESS OTHERWISE SPECIFIED TOLERANCES ARE

.X ±0.35
.XX ±0.25

SCALE

NONE

REV.

A2

UNIT

mm



NO.	REV.	REVISIONS	CHK	DATE
△ A2		Modify Data	HZF	03/24/2010
△ A1		Modify Data	BECKY	2004/11/19
△ A0		NEW RELEASE		