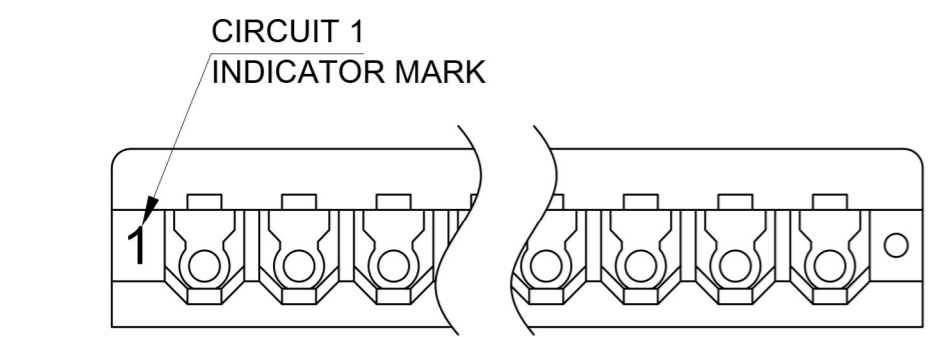
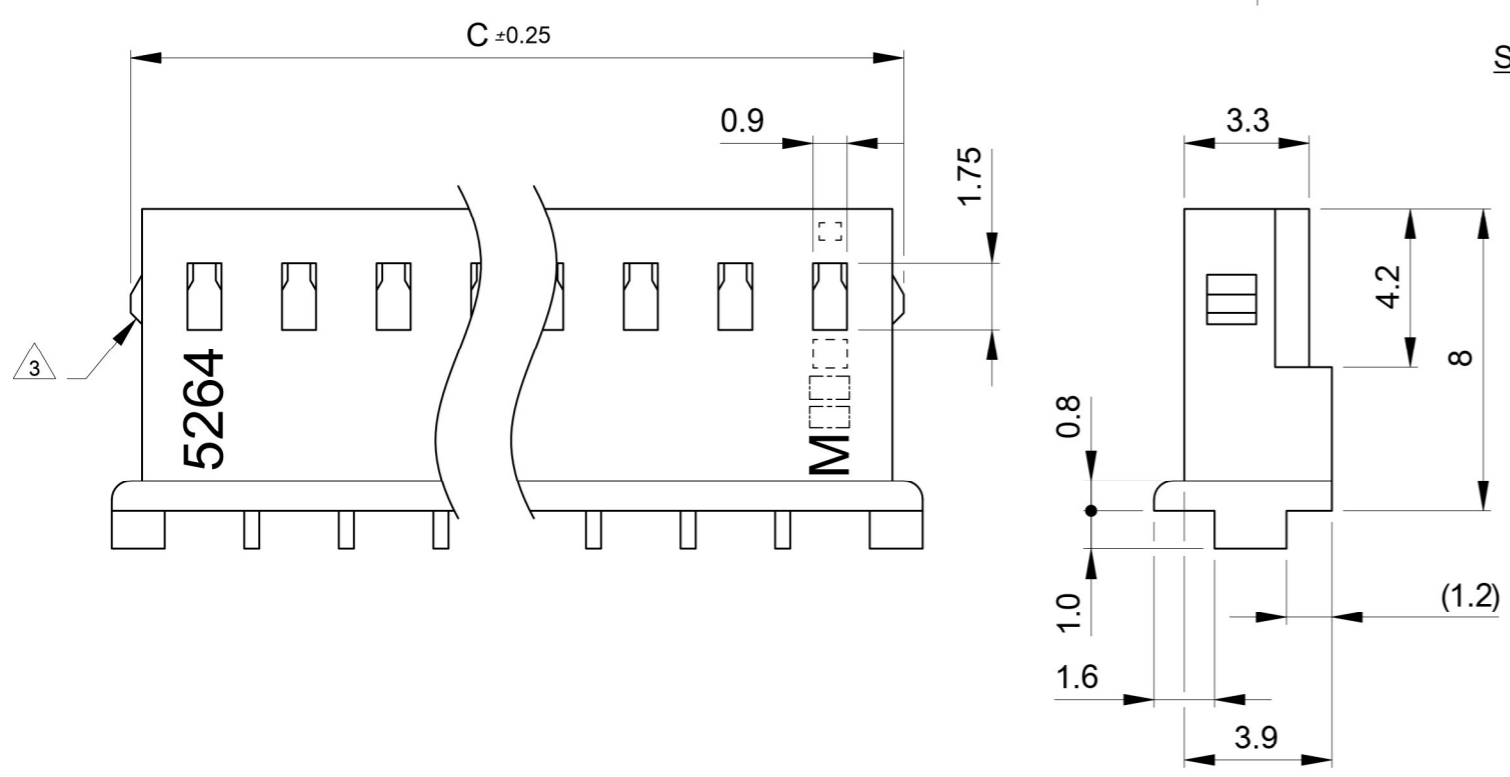


注記:  
NOTES:

- 1 材質: TABLE 1参照  
MATERIAL: SEE TABLE 1
- 2 製品仕様書、適用嵌合相手、適用端子はSHEET 2をご参照ください。  
PLEASE REFER TO SHEET 2 FOR PRODUCT SPECIFICATION, MATE WITH AND APPLICABLE TERMINAL.
- 3 9極以上: ロックなし  
MORE THAN 9 CIRCUIT: NO LOCKS
- 4 オーダー番号: ORDER NO.  
50375\*\*3

極数  
CIRCUIT SIZE



	35	38.3	ポリ袋 POLY BAG	5264N	526415	50375153	15
	32.5	35.8			526414	50375143	14
	30	33.3			526413	50375133	13
	27.5	30.8			526412	50375123	12
	25	28.3			526411	50375113	11
	22.5	25.8			526410	50375103	10
	20	23.3			526409	50375093	9
21.4	17.5	20.8			526408	50375083	8
18.9	15	18.3			526407	50375073	7
16.4	12.5	15.8			526406	50375063	6
13.9	10	13.3			526405	50375053	5
11.4	7.5	10.8			526404	50375043	4
8.9	5	8.3			526403	50375033	3
6.4	2.5	5.8			526402	50375023	2
C	B	A			梱包形態 PACKAGING	シリーズ番号 SERIES NO.	ENG. NO.



TABLE 1

部品 PART	材質 MATERIAL
ハウジング HOUSING	ポリアミド(PA), UL94V-0, 色: ナチュラル(アイボリー) POLYAMIDE(PA): UL94V-0, COLOR: NATURAL (IVORY)

THIS DRAWING CONTAINS INFORMATION THAT IS PROPRIETARY TO MOLEX ELECTRONIC TECHNOLOGIES, LLC AND SHOULD NOT BE USED WITHOUT WRITTEN PERMISSION	
DIMENSION UNITS mm	SCALE NTS
GENERAL TOLERANCES (UNLESS SPECIFIED)	
ANGULAR TOL	± 3.0°
4 PLACES	±
3 PLACES	± 0.2
2 PLACES	± 0.2
1 PLACE	± 0.2
0 PLACES	±
DRAFT WHERE APPLICABLE MUST REMAIN WITHIN DIMENSIONS	
THIRD ANGLE PROJECTION	DRAWING
SERIES	5264
MATERIAL NUMBER	SEE CHART
CUSTOMER	GENERAL
SHEET NUMBER	1 OF 2